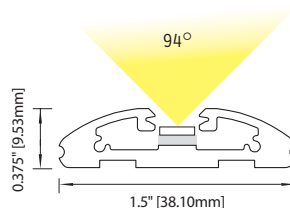


New! 1EL CHOICE DEMI-ELLIPSE EXTRUSION - LENSED

1EL Choice: IP20 | Demi-Ellipse extrusion provides a low-profile fixture with recessed LED board to minimize side-view glare. Includes selection of 3 LED Boards with EssentialLEDs Choice LEDs on a Narrow Pitch. See lumen outputs, CCTs, wattage and other variables on Choice Linear Fundamentals.

Available in Silver or Black Finishes. Diffuser Film Lens. Photometrics vary based on CCT; see vltcorp.com for output conversion and other data specific to your fixture choices.

AVAILABLE IN LENGTHS UP TO 95.28" [2420MM]



ELC- 1EL -

LED

1435	288 lm/ft, 2.7 w/ft, 90+ CRI
2435	384 lm/ft, 3.7 w/ft, 90+ CRI
3435	478 lm/ft, 5.5 w/ft, 90+ CRI

■ Narrow Pitch Choice LEDs

Finish

AL	Silver Anodized
BL	Black Anodized

Wire Exit

WE1	Default
C	Custom

Listings & Options

UL	UL Listed
CE	CE Marked (RoHS)
FEC	Flange End Cap

CCT

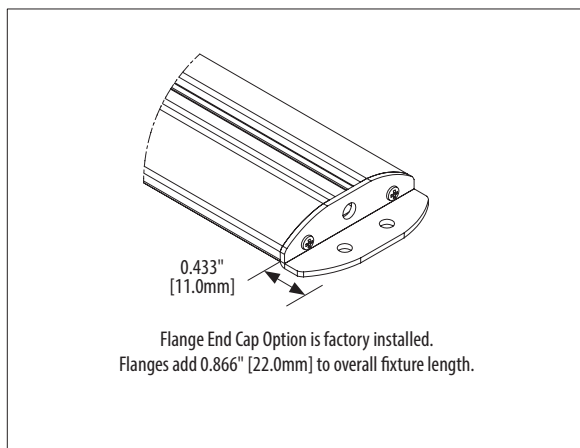
23	2300°K
27	2700°K
30	3000°K
35	3500°K
40	4000°K

Lens Options

DF	Diffuser Film
----	---------------

Fixture Length

See Fixture Length and Wattage Table. Choose the correct Code number for the LED board and fixture length of your choice or specify Custom Length as follows: C (12.25") or C [311mm]



Fixture Accessories

ELL - AC - 1EL - MC



Fixed Metal Mounting Clip; Fixture snaps into clip. Countersunk screw-holes allow fixture to sit flush to mounting surface. Allow 1 clip per 12" (min. 2 per fixture). See Mounting Options.