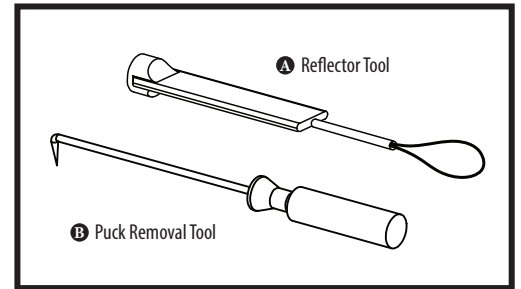
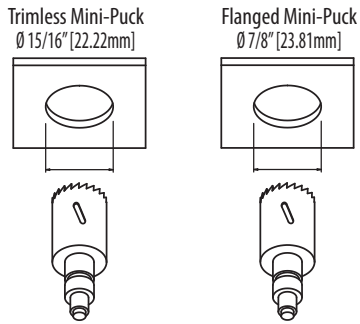


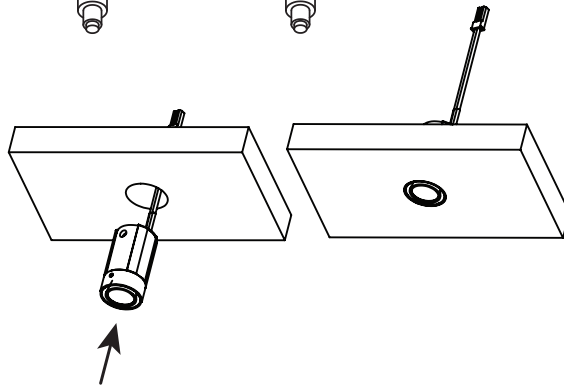
INSTALLATION OR USE OF FIXTURES WITH DRIVERS OTHER THAN UNITS PROVIDED BY VLT MAY CAUSE ELECTRICAL SHOCK, FIRE OR PERMANENT PRODUCT DAMAGE. Product Must Be Installed in Accordance with Applicable NEMA Codes by a Person Familiar with the Construction and Operation of the Product and the Hazards Involved.

1 Drill Mounting Hole

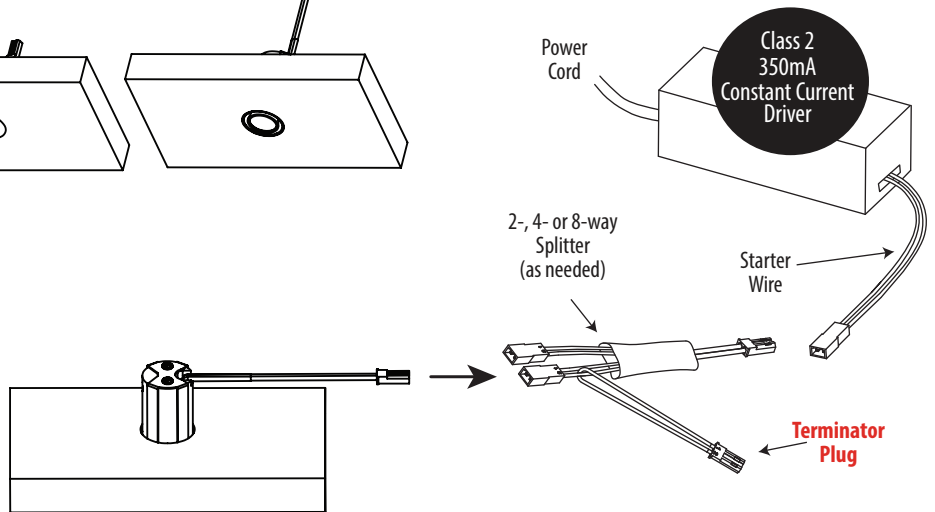
(For Blind Hole Installation, min. Depth 1.53" [38.86mm]; Exit Hole Must Be Provided for Wiring)



2 Feed Wire Through Hole and Insert Mini-Puck Fixture; spring clip will hold fixture in place.



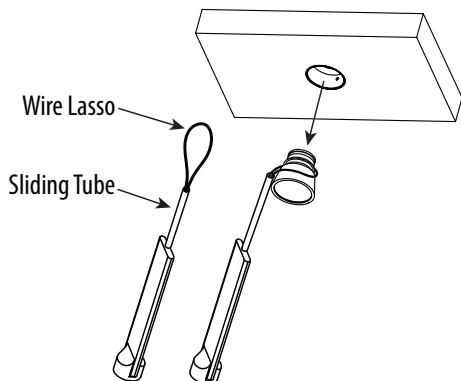
3 Connect Fixture(s) to Class 2 350mA Constant Current Driver According to Circuit Diagram in EssentialLEDs Catalog, or According to Instructions Provided with Your Application



IMPORTANT! Multiple constant current fixtures in the same circuit are wired "in series", with fixtures connected along a single path. The same current flows through all the fixtures. When using a splitter to connect multiple fixtures to a single driver, EVERY connector must be mated with either a fixture or with a terminator plug to avoid breaking the circuit. Open connectors must be filled with a terminator plug; if there is a break in the circuit (i.e. an open connector) NONE of the fixtures will work!

4 To Change Mini-Puck Fixture Reflectors:

1. Slip Wire Lasso of Reflector Tool around Reflector
2. Slide Tube to tighten Lasso around Reflector
2. Pull gently until Reflector snaps out of fixture
3. Use fingers to snap replacement Reflector into fixture



5 To Remove Trimless Mini-Puck Fixture:

1. Insert pointed tip of Puck Removal Tool into hole provided
2. Gently pull Mini-Puck Fixture from mounting surface
3. Disconnect Tyco connector

